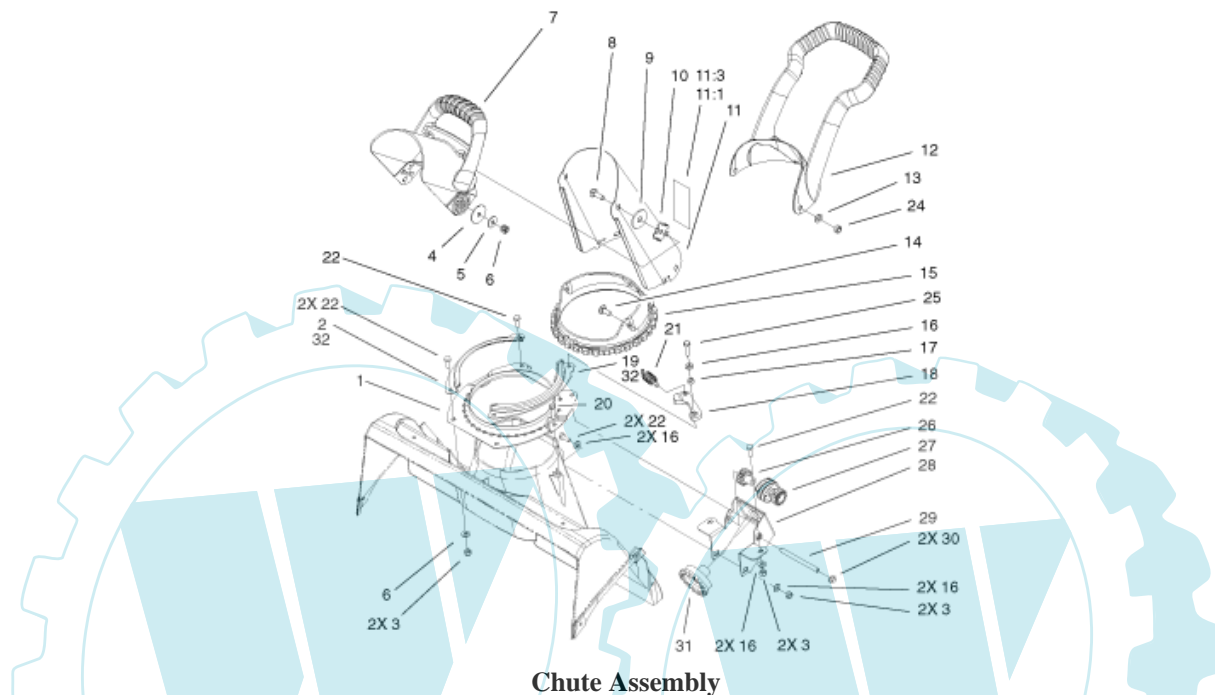




MASTER PARTS VIEWER

©2003 The Toro Company

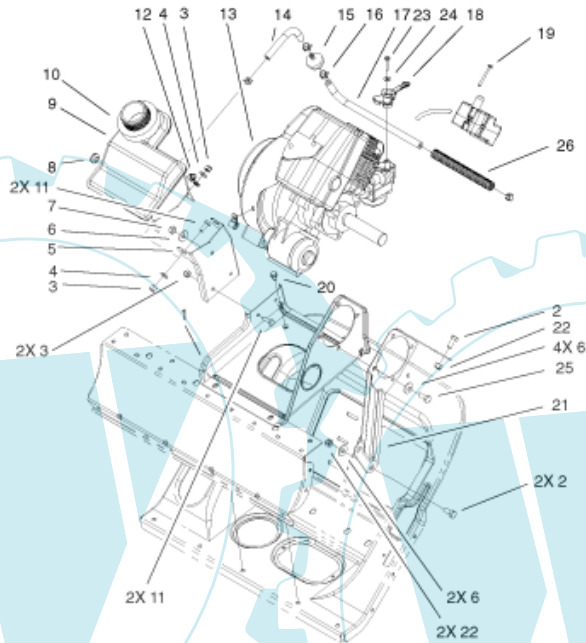
Model: 38601 Year: 2002 Serial Range: 220000001 - 220999999



Chute Assembly

| No. | Part | Qty. |
|------|-----------------------------------|------|
| 1 | 55-8921-03 RING-SUPPORT, CHUTE | 1 |
| 2 | 71-4990-03 RETAINER-CHUTE, RH | 1 |
| 3 | 3296-42 NUT-LOCK, NI | 6 |
| 4 | 3256-68 WASHER-FLAT | 2 |
| 5 | 3290-456 WASHER-BELLEVILLE | 2 |
| 6 | 3296-29 NUT-LOCK, NI | 2 |
| 7 | 104-0882 CHUTE-DEFLECTOR | 1 |
| 8 | 3230-22 SCREW-CARR | 2 |
| 9 | 20-4320 WASHER-RUBBER | 2 |
| 10 | 55-8950 PLATE-FRICTION | 2 |
| 11 | 104-4115 CHUTE ASM | 1 |
| 11 | 94-2791 CHUTE ASM | 1 |
| 11:1 | 104-4135 DECAL-DANGER | 1 |
| 11:3 | 94-2901 DECAL-DANGER | 1 |
| 12 | 104-0884 HANDLE-CONTROL, CHUTE | 1 |
| 13 | 3256-70 WASHER-FLAT | 3 |
| 14 | 100-5487 SCREW-PTH | 3 |
| 14 | 100-5486 SCREW-TRUSS HD, PHILLIPS | 3 |

| No. | Part | Qty. |
|-----|---------------------------------|------|
| 15 | 104-2763 RING-CHUTE | 1 |
| 15 | 55-8720 RING-GEAR, CHUTE | 1 |
| 16 | 3256-22 WASHER-FLAT | 8 |
| 17 | 55-9370 SPACER-BLADE, ROTOR | 1 |
| 18 | 80-4610 DETENT | 1 |
| 19 | 71-4980-03 RETAINER-CHUTE, LH | 1 |
| 20 | 46-8092 SCREW-PLASTITE | 2 |
| 21 | 80-4600 SPRING-EXTENSION | 1 |
| 22 | 321-4 SCREW-HH | 6 |
| 24 | 3296-47 NUT-LOCK, NI | 3 |
| 25 | 321-6 SCREW-HH | 1 |
| 26 | 55-8750 GEAR-SPUR, SPACER | 1 |
| 27 | 105-3512 GEAR-SPUR/WORM | 1 |
| 28 | 104-8660-03 BRACKET-CHUTE GEARS | 1 |
| 29 | 55-9150 SHAFT-GEAR, WORM | 1 |
| 30 | 32112-11 NUT-PUSH | 2 |
| 31 | 55-8740 GEAR-FACE | 1 |
| 32 | 55-8910-03 RING-RETAINER, CHUTE | 2 |



Engine and Frame Assembly

| No. | Part | Qty. |
|-----|--|------|
| 1 | 105-3515-03 SUPPORT-ENGINE | 1 |
| 2 | 322-3 SCREW-HH | 3 |
| 3 | 3296-42 NUT-LOCK, NI | 4 |
| 4 | 3256-22 WASHER-FLAT | 2 |
| 5 | 100-9899-03 SUPPORT-RECOIL | 1 |
| 6 | 3290-456 WASHER-BELLEVILLE | 7 |
| 7 | 3296-42 NUT-LOCK, NI | 1 |
| 8 | 237-89 GROMMET-RUBBER | 1 |
| 9 | 55-8831 Tank-Gas | 1 |
| 10 | 55-9310 SEAL-FOAM | 1 |
| 11 | 321-4 SCREW-HH | 4 |
| 12 | 2412-91 CLAMP | 1 |
| 13 | Engine-Briggs and Stratton, 084332-0130-E1 (Only on: 38600, 38601) | 1 |
| 13 | Engine-Briggs and Stratton, 084333-0199-E1 (Only on: 38602, 38603) | 1 |

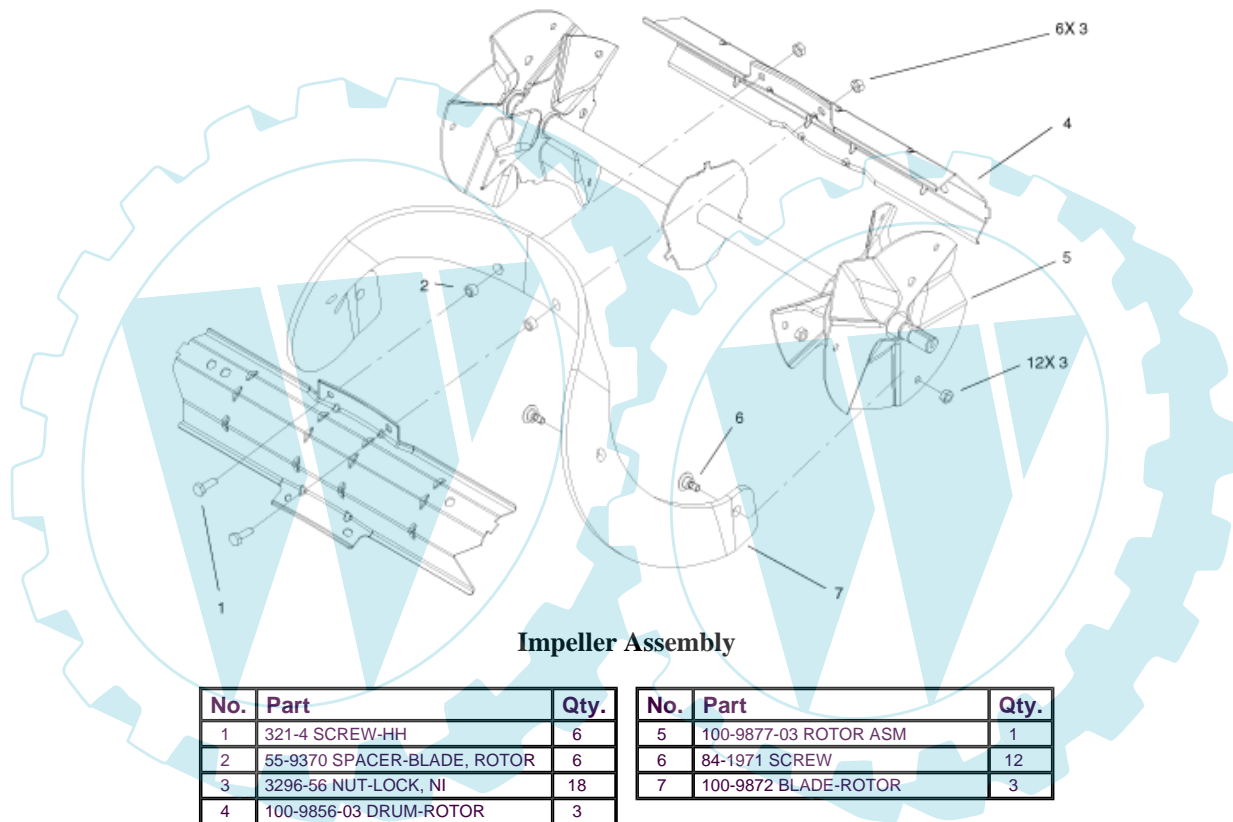
| No. | Part | Qty. |
|-----|------------------------------|------|
| 14 | 94-9932 HOSE-FUEL | 1 |
| 15 | 56-6360 FILTER-FUEL | 1 |
| 16 | 2412-98 CLAMP | 4 |
| 17 | 104-4119 HOSE - GAS | 1 |
| 18 | 104-0878 LEVER-CHOKE | 1 |
| 19 | 32144-27 SCREW-PLASTITE | 3 |
| 20 | 32144-44 SCREW-HWH | 3 |
| 21 | 104-0875-03 BRACE-ENGINE | 1 |
| 22 | 3296-29 NUT-LOCK, NI | 3 |
| 23 | 32144-97 SCREW-PPH, PLASTITE | 1 |
| 24 | 104-4143 WASHER | 1 |
| 25 | 322-4 SCREW-HH | 4 |
| 26 | 104-4149 CONDUIT | 1 |
| 99 | 104-9705 CORD-ELECTRIC | 1 |



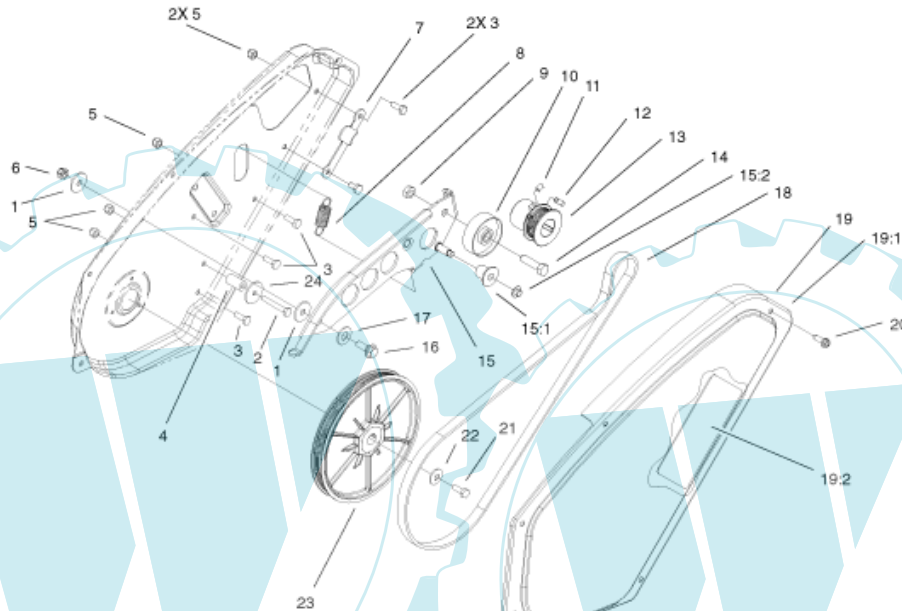
MASTER PARTS VIEWER

©2003 The Toro Company

Model: 38601 Year: 2002 Serial Range: 220000001 - 220999999



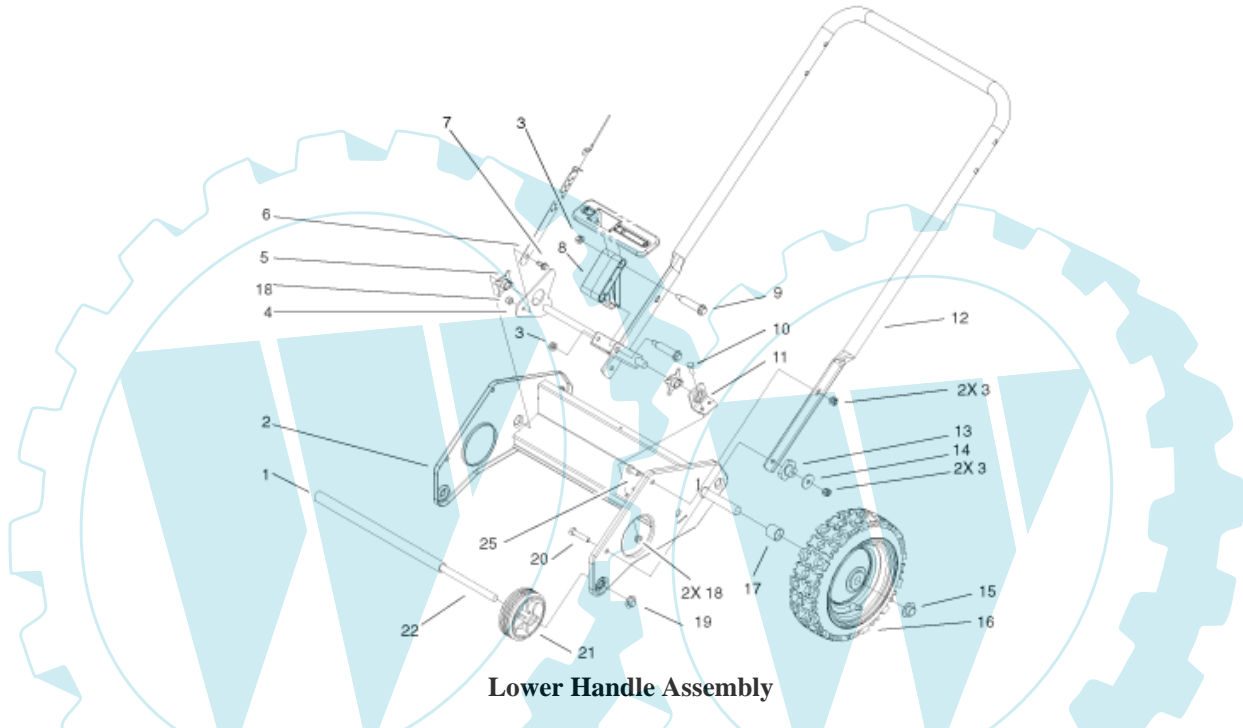
Ihr Ersatzteilspezialist im Internet!



Impeller Drive Assembly

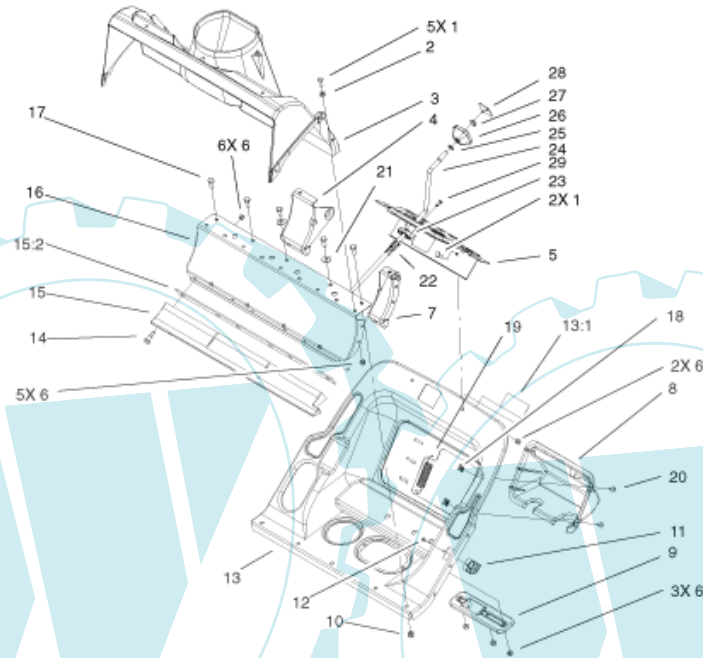
| No. | Part | Qty. |
|-----|----------------------------|------|
| 1 | 5-4460 WASHER-PIVOT | 2 |
| 2 | 321-10 SCREW-HH | 1 |
| 3 | 321-4 SCREW-HH | 5 |
| 4 | 55-9530 SLEEVE-GUIDE, BELT | 1 |
| 5 | 3296-42 NUT-LOCK, NI | 5 |
| 6 | 3296-29 NUT-LOCK, NI | 1 |
| 7 | 104-0868 BELT-GUIDE | 1 |
| 8 | 104-0869 SPRING-BRAKE | 1 |
| 9 | 32152-2 NUT-LOCK, CONE | 1 |
| 10 | 55-9290 PULLEY-IDLER | 1 |
| 11 | 3245-41 SCREW-HSH | 1 |
| 12 | 3241-7 SCREW-SQH | 1 |
| 13 | 104-4108 PULLEY | 1 |
| 14 | 323-29 SCREW-HH | 1 |
| 15 | 104-4113 BRAKE-ARM | 1 |

| No. | Part | Qty. |
|------|------------------------------------|------|
| 15:1 | 104-4114 ROLLER-BRAKE | 1 |
| 15:2 | 32112-11 NUT-PUSH | 1 |
| 16 | 27-0410 SCREW-SHOULDER | 1 |
| 17 | 25-5640 WASHER | 1 |
| 18 | 104-0851 BELT-DRIVE | 1 |
| 19 | 104-4140 DRIVE COVER ASM | 1 |
| 19 | 104-8669 COVER-DRIVE W/DECAL CE | 1 |
| 19:1 | 104-2767 DECAL-WARNING | 1 |
| 19:1 | 94-2561 DECAL-HOT | 1 |
| 19:2 | 104-4125 DECAL-ROUTING, BELT | 1 |
| 20 | 49-2040 SCREW-HWHTF | 1 |
| 21 | 321-30 SCREW-HH | 1 |
| 22 | 3290-456 WASHER-BELLEVILLE | 1 |
| 23 | 100-9871 PULLEY-ROTOR | 1 |
| 24 | 3256-55 WASHER-FLAT | 1 |


Lower Handle Assembly

| No. | Part | Qty. |
|-----|--------------------------------|------|
| 1 | 100-9878 SPACER-PLASTIC | 1 |
| 2 | 100-9887-03 WHEELFRAME ASM | 1 |
| 3 | 3296-29 NUT-LOCK, NI | 6 |
| 4 | 104-0853 PIVOT ASM | 1 |
| 5 | 104-0855 BUSHING-ROD, PIVOT | 2 |
| 6 | 104-0899 ADJUSTER-CABLE, PIVOT | 1 |
| 7 | 104-4102 SCREW-SHOULDER | 1 |
| 8 | 100-9896 BLOCK-PIVOT | 1 |
| 9 | 100-9880 BOLT-SHOULDER | 2 |
| 10 | 321-4 SCREW-HH | 2 |
| 11 | 100-9879 SUPPORT-ROD, PIVOT | 1 |
| 12 | 100-9890-03 HANDLE-LOWER | 1 |

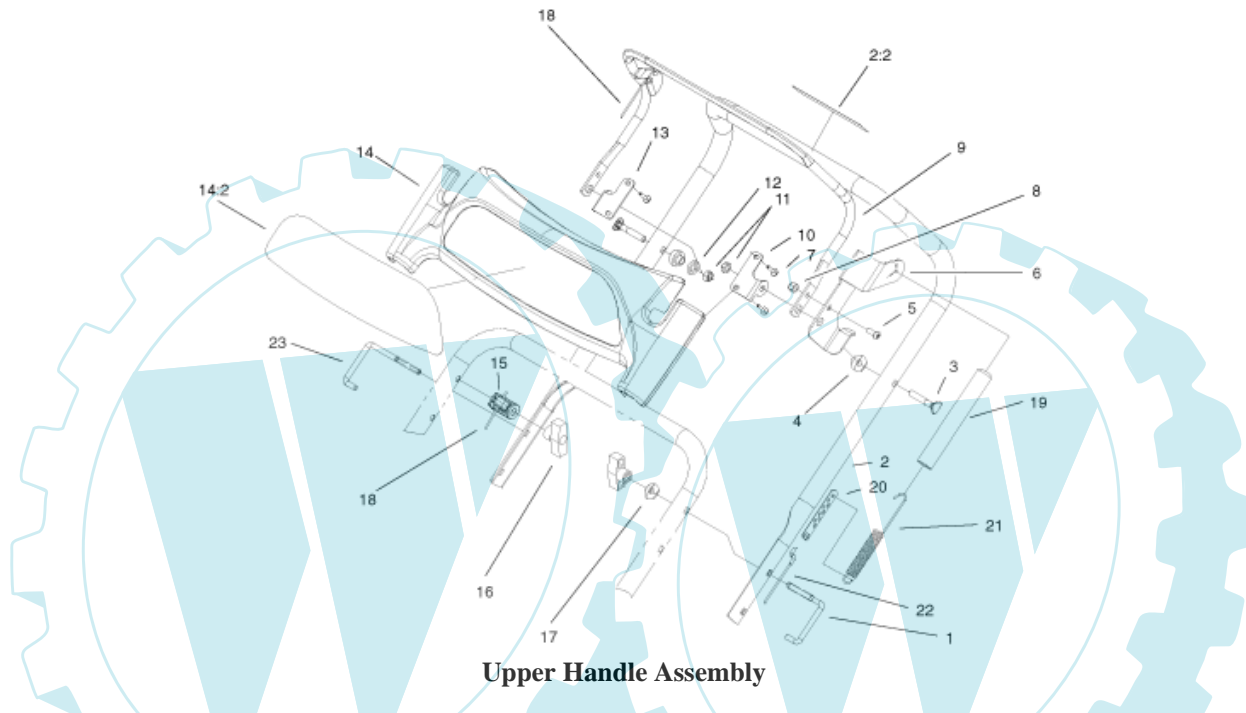
| No. | Part | Qty. |
|-----|-------------------------------|------|
| 13 | 100-9883 BUSHING-PIVOT | 2 |
| 14 | 3256-82 WASHER-FLAT | 2 |
| 15 | 104-4111 NUT-PUSH | 2 |
| 16 | 100-9869 10" TIRE & WHEEL ASM | 2 |
| 17 | 104-0892 SPACER-AXLE, REAR | 2 |
| 18 | 3296-42 NUT-LOCK, NI | 3 |
| 19 | 32112-14 NUT-PUSH | 2 |
| 20 | 322-7 SCREW-HH | 2 |
| 21 | 100-9864 TIRE AND WHEEL ASM | 2 |
| 22 | 100-9875 Axle-Front | 1 |
| 25 | 322-3 SCREW-HH | 2 |



Lower Housing Assembly

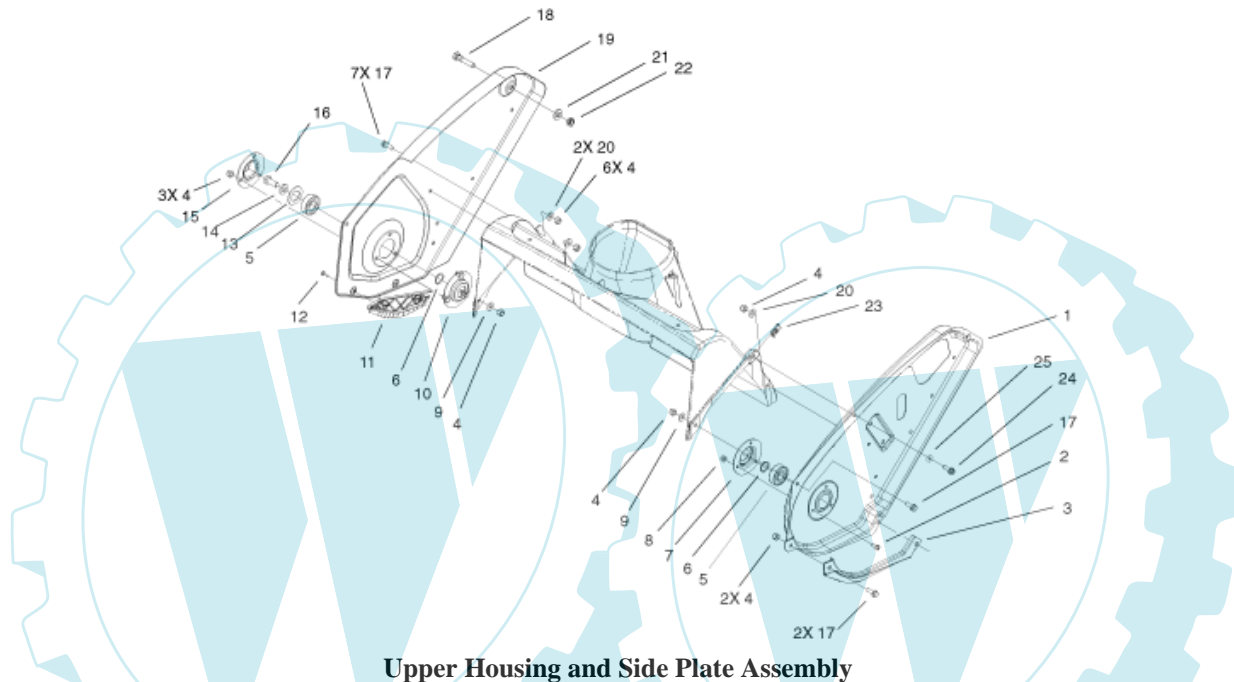
| No. | Part | Qty. |
|------|---------------------------------------|------|
| 1 | 321-4 SCREW-HH | 7 |
| 2 | 3256-22 WASHER-FLAT | 5 |
| 3 | 100-9894 HOUSING-ROTOR, UPPER | 1 |
| 4 | 104-0865 BRACKET-PIVOT, RH | 1 |
| 5 | 104-0887-03 CONTROL PANEL SUPPORT ASM | 1 |
| 6 | 3296-42 NUT-LOCK, NI | 16 |
| 7 | 104-0864 BRACKET-PIVOT, LH | 1 |
| 8 | 104-8663 COVER-CARB CE | 1 |
| 8 | 104-0874 COVER-CARB | 1 |
| 9 | 100-9897 BRACKET-PIVOT, CENTER | 1 |
| 10 | 3296-29 NUT-LOCK, NI | 5 |
| 11 | 104-0880 GUIDE-CABLE, CLUTCH | 1 |
| 12 | 95-4234 SCREW-PPH | 1 |
| 13 | 105-3516 LOWER HOUSING ASM | 1 |
| 13 | 105-3514-03 HOUSING-LOWER | 1 |
| 13:1 | 61-4790 DECAL | 1 |
| 14 | 104-0858 BOLT-SHOULDER | 6 |

| No. | Part | Qty. |
|------|----------------------------------|------|
| 15 | 104-4138 SCRAPER ASM | 1 |
| 15:2 | 104-0879 FOAM-SCRAPER | 1 |
| 16 | 100-9893-03 HOUSING-ROTOR, LOWER | 1 |
| 17 | 322-3 SCREW-HH | 5 |
| 18 | 100-9889 NUT-SPEED | 2 |
| 19 | 104-4130 SPRING-EXTENSION, PIVOT | 1 |
| 20 | 32144-112 SCREW-HWH | 2 |
| 21 | 3290-456 WASHER-BELLEVILLE | 2 |
| 22 | 104-8664 SPRING-COMPRESSION | 1 |
| 23 | 104-8659 BUSHING-CHUTE CRANK | 1 |
| 24 | 104-8658 ROD-CHUTE CRANK | 1 |
| 25 | 104-8665 WASHER-CHUTE CRANK | 1 |
| 26 | 62-1320 KNOB-CONTROL, CHUTE | 1 |
| 27 | 3290-320 RETAINER-PUSH ON | 1 |
| 28 | 62-1520 COVER-KNOB | 1 |
| 29 | 94-6961 SCREW | 2 |


Upper Handle Assembly

| No. | Part | Qty. |
|-----|--------------------------------|------|
| 1 | 98-2266 LOCK-HANDLE | 1 |
| 2 | 104-4137 UPPER HANDLE ASM | 1 |
| 2 | 105-1991 HANDLE-UPPER W/DECAL | 1 |
| 2:2 | 104-2775 DECAL-DRIVE, ROTOR | 1 |
| 2:2 | 94-2577 DECAL-DRIVE, ROTOR | 1 |
| 3 | 92-2260 SCREW-HANDLE | 2 |
| 4 | 55-9340 SPACER-BAR, CONTROL | 2 |
| 5 | 3274-31 SCREW-HSBH | 1 |
| 6 | 100-9882-03 ARM-CLUTCH, HANDLE | 1 |
| 7 | 98-1375 SCREW-HWH | 4 |
| 8 | 3296-42 NUT-LOCK, NI | 1 |
| 9 | 104-4104-03 BAR-CONTROL | 1 |
| 10 | 104-4100 BRACKET-PANEL, LH | 1 |
| 11 | 3296-47 NUT-LOCK, NI | 2 |

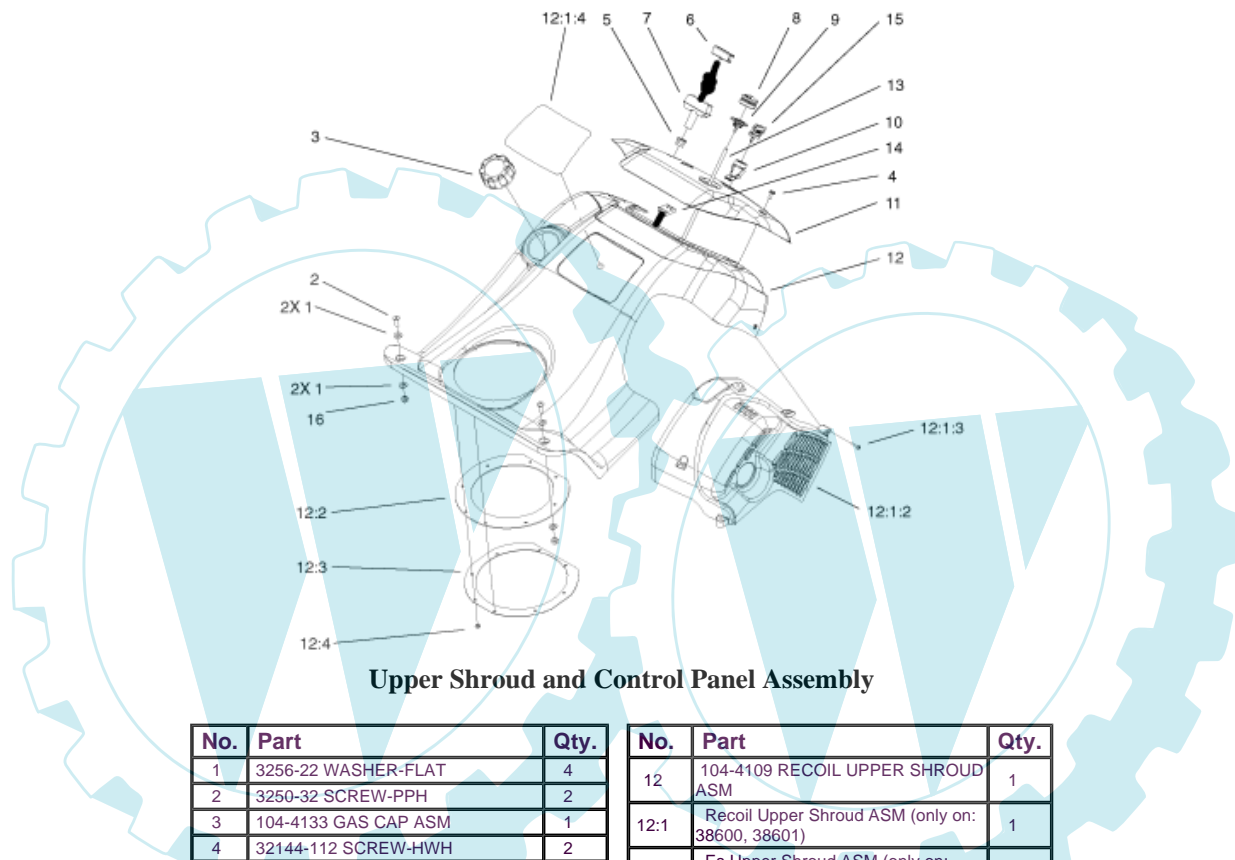
| No. | Part | Qty. |
|------|---------------------------------------|------|
| 12 | 55-9670 WASHER | 1 |
| 13 | 104-4101 BRACKET-PANEL, RH | 1 |
| 14 | 104-4127 PANEL-DISPLAY HANDLE W/DECAL | 1 |
| 14:2 | 104-4112 DECAL-DISPLAY HANDLE | 1 |
| 15 | 100-9868 GUIDE-Cable, PIVOT | 1 |
| 16 | 98-7134 KNOB-HANDLE | 2 |
| 17 | 75-9130 WASHER-CURVED | 1 |
| 18 | 104-0895 CABLE-PIVOT | 1 |
| 19 | 104-4145 COVER-SPRING | 1 |
| 20 | 71-5330 ADJUSTER-CABLE, CLUTCH | 1 |
| 21 | 104-0894 SPRING-CABLE | 1 |
| 22 | 104-0896 CABLE-CLUTCH | 1 |
| 23 | 104-4126 LOCK-HANDLE, RH | 1 |



Upper Housing and Side Plate Assembly

| No. | Part | Qty. |
|-----|--------------------------|------|
| 1 | 100-9865-03 SIDEPLATE-LH | 1 |
| 2 | 32105-8 SCREW-SHH | 3 |
| 3 | 104-0871 GUARD-ROTOR, LH | 1 |
| 4 | 3296-42 NUT-LOCK, NI | 14 |
| 5 | 100-1048 BEARING-BALL | 2 |
| 6 | 52-7280 WASHER-THRUST | 2 |
| 7 | 38-8620 FLANGE-BEARING | 1 |
| 8 | 3296-2 NUT-LOCK, NI | 3 |
| 9 | 3256-1 WASHER-FLAT | 2 |
| 10 | 52-9110 FLANGE-BEARING | 1 |
| 11 | 104-0872 GUARD-ROTOR, RH | 1 |
| 12 | 95-4234 SCREW-PPH | 2 |
| 13 | 52-7270 WASHER-RUBBER | 1 |

| No. | Part | Qty. |
|-----|-----------------------------|------|
| 14 | 3256-24 WASHER-FLAT | 1 |
| 15 | 52-7290-03 RETAINER-BEARING | 1 |
| 16 | 3234-25 SCREW-HHF | 1 |
| 17 | 32105-15 SCREW | 10 |
| 18 | 104-4144 PIN-TANK | 1 |
| 19 | 100-9870-03 SIDEPLATE-RH | 1 |
| 20 | 3256-22 WASHER-FLAT | 3 |
| 21 | 3256-24 WASHER-FLAT | 1 |
| 22 | 32152-8 NUT-LOCK, CONE | 1 |
| 23 | 702552 NUT-SPEED | 1 |
| 24 | 49-2040 SCREW-HWHTF | 1 |
| 25 | 104-8657 O-RING | 1 |



Upper Shroud and Control Panel Assembly

| No. | Part | Qty. |
|-----|------------------------------|------|
| 1 | 3256-22 WASHER-FLAT | 4 |
| 2 | 3250-32 SCREW-PPH | 2 |
| 3 | 104-4133 GAS CAP ASM | 1 |
| 4 | 32144-112 SCREW-HWH | 2 |
| 5 | 55-9410 GUIDE-ROPE, STARTER | 1 |
| 6 | 612824 CLIP-STARTER | 1 |
| 7 | 612825 HANDLE-START | 1 |
| 8 | 66-7460 BULB-PRIMER | 1 |
| 9 | 44-2750 BODY-PRIMER | 1 |
| 10 | 40-5940 SWITCH | 1 |
| 11 | 104-4106 PANEL-CONTROL | 1 |
| 11 | 104-8661 PANEL-CONTROL ES,CE | 1 |
| 11 | 104-0863 PANEL-CONTROL | 1 |
| 11 | 104-8662 PANEL-CONTROL R, CE | 1 |
| 12 | 104-4147 ES UPPER SHROUD ASM | 1 |

| No. | Part | Qty. |
|--------|---|------|
| 12 | 104-4109 RECOIL UPPER SHROUD ASM | 1 |
| 12:1 | Recoil Upper Shroud ASM (only on: 38600, 38601) | 1 |
| 12:1 | Es Upper Shroud ASM (only on: 38602, 38603) | 1 |
| 12:1:2 | 104-0860 SHIELD-HEAT | 1 |
| 12:1:3 | 94-4496 SCREW-PPH | 5 |
| 12:1:4 | 104-4141 DECAL - SHROUD RECOIL | 1 |
| 12:1:4 | 104-4146 DECAL - SHROUD ES | 1 |
| 12:2 | 55-9260 SEAL-CHUTE | 1 |
| 12:3 | 55-9540-03 RETAINER-SEAL, CHUTE | 1 |
| 12:4 | 3290-474 PALNUT | 8 |
| 13 | 95-1861 HOSE-PRIMER | 1 |
| 15 | 63-8360 KEY-IGNITION | 1 |
| 16 | 3296-42 NUT-LOCK, NI | 2 |
| 16 | 3290-474 PALNUT | 1 |